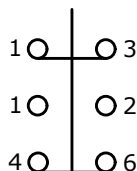
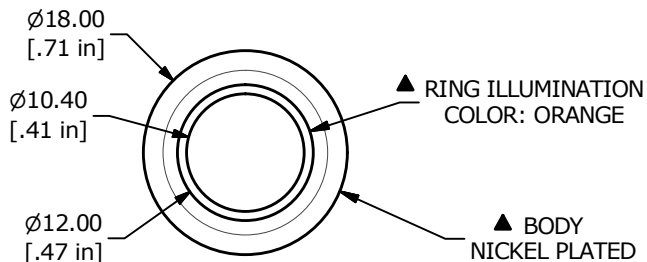
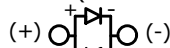


PANEL CUTOUT  
MAX. PANEL THICKNESS  
14.0mm [.55]



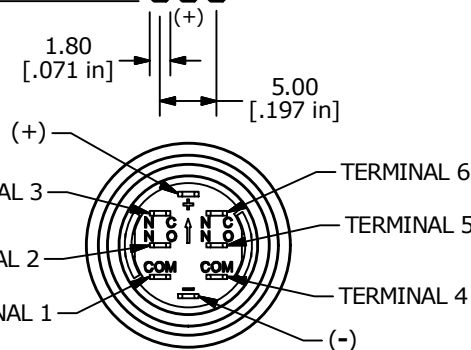
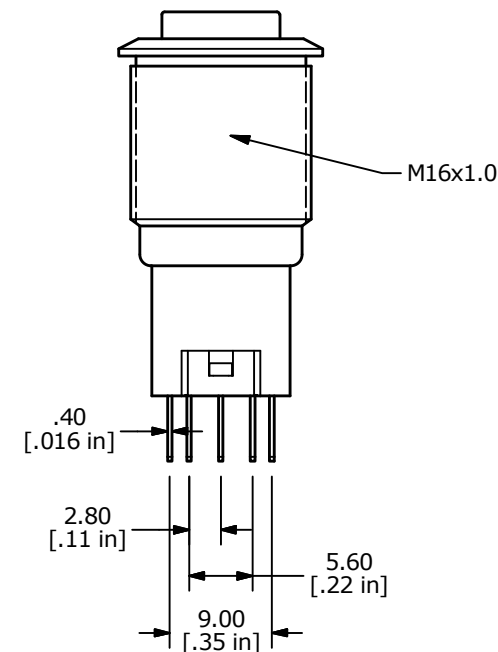
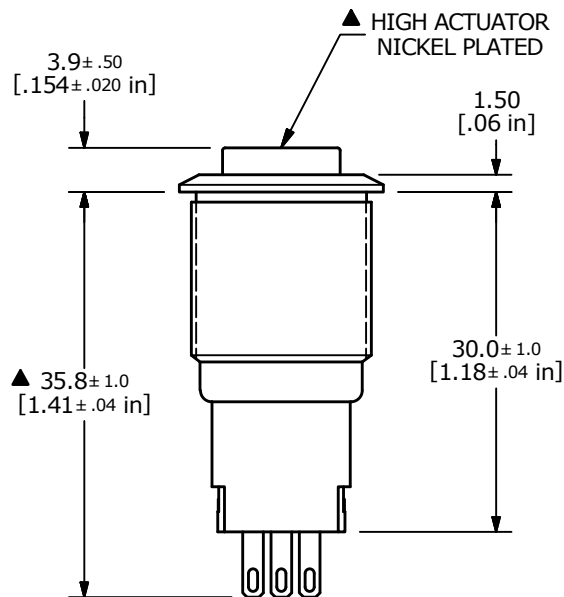
4 ○ ○ 5

ORANGE (FORWARD)



ORANGE (REVERSE)

▲ DPDT ON-(ON)  
CONTACT CONFIGURATION



NOTE:

1. ALL DIMENSIONS IN MM [INCH]
2. GENERAL TOLERANCE: X.X = ±0.4  
X.XX = ±0.25
3. TERMINAL NUMBERS FOR REF ONLY
- ▲ 4. CONTACT MATERIAL: SILVER
5. RATING: 2A 48VDC
6. ELECTRIC LIFE: 50,000 MAKE-AND-BREAK CYCLES AT FULL LOAD.
7. INSULATION RESISTANCE: 1,000 MΩ MIN.
8. DIELECTRIC STRENGTH: 2,000 VAC MIN. FOR 1 MINUTE
9. CONTACT RESISTANCE: 50mΩ MAX. @ 1A 12VDC
10. OPERATING TEMP.: -20°C to 55°C
11. ▲ DENOTES CRITICAL PARAMETER.
- ▲ 12. HARDWARE SUPPLIED: O-RING AND HEXNUT
13. INGRESS RATING: IP40
- ▲ 14. LAMP VOLTAGE: 6V

E	23610	update +/- Terminals	10/9/18	MW
D	23364	UPDATING RATING TO 2A 48VDC	5/14/18	MJR
C	22887	UPDATED RATING TO 1A 24VDC	6/19/17	MJR
REV	PCR NO	DESCRIPTION	DATE	BY



TITLE PV3H2H0NN-323				
SCALE 3:2	DATE 10/23/2013	DR EBP	DWG 52-PV3H2H0NN323	REV E

THE INFORMATION CONTAINED IN THIS DOCUMENT IS PROPRIETARY TO E-SWITCH AND IS NOT TO BE COPIED OR TRANSFERRED